

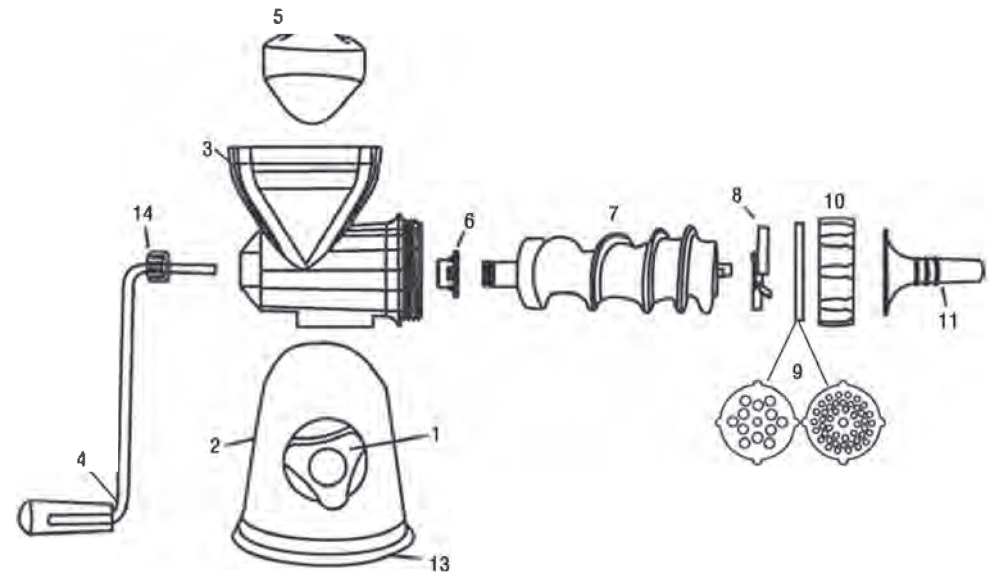
NORPRO IS PLEASED TO CONFIRM THAT MANY NORPRO PARTS ARE AVAILABLE TO CONSUMERS – EXCLUSIVELY THROUGH HOME AND FARM SUPPLY SIMPLY CALL HOME AND FARM KITCHEN SUPPLY TEL. #209-223-0264

YOU CAN ALSO MAIL YOUR PARTS ORDER TO HOME AND FARM KITCHEN SUPPLY/ATTN: NORPRO PARTS- 165 MAIN ST, JACKSON, CA 95642

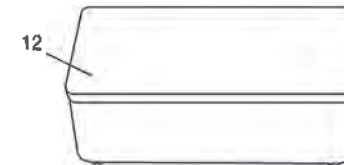
AS A WHOLESALER, Norpro cannot accept calls or emails from consumers for Norpro parts.

We are confident that your needs will be met by Home and Farm kitchen Supply but you may also visit the retailer you purchased the product from for parts, or your local kitchenware store.

NORPRO



#15 Penne #16 Tagliatelle/ Fettuccine #17 Fusilli/ Spiral #18 Rigatoni #21 Spaghetti



Parts List

Part #	Description
151-4G	Handle
151-6G	Shaft Bushing
151-9CG	Coarse Mincing Plate
151-9FG	Fine Mincing Plate
151-7G	Shaft
151-PFG	5 Piece Pasta Attachments
151-8G	Stainless Steel Blade
151-11G	Sausage Attachment
151-5G	Plunger/Locking Key
151-10G	Cap

- | | |
|----------------------------------|--|
| 1. Lock knob | 9. Fine mincing plate #151-9FG / Coarse mincing plate #151-9CG |
| 2. Body | 10. Cap #151-10G |
| 3. Hopper | 11. Sausage attachment #151-11G |
| 4. Handle #151-4G | 12. Container |
| 5. Plunger/Locking Key #151-5G | 13. Suction base |
| 6. Shaft bushing #151-6G | 14. Screw |
| 7. Shaft #151-7G | 5 Piece Pasta Attachments: 15/16/17/18/21 #151-PFG |
| 8. Stainless steel blade #151-8G | |